



DE5700S SERIES

PRODUCT INSTRUCTION MANUAL



HIGH QUALITY LOCKING DEVICE PROVIDER

Copyright © 2026 Shanghai One Top Corporation. All rights reserved. www.onetoplock.com



DE5700S SERIES

The DE5700 Delay Egress Electromagnetic Lock is a specialized access control solution that ensures secure entry and exit while meeting safety regulations. It features a nuisance delay of 0,1,2 or 3 seconds before allowing a preset of 15–30 seconds egress, helping to prevent unauthorized tampering or forced exits, while still ensuring safe and controlled emergency access. The system integrates smoothly with access control systems, allowing for remote monitoring and management, and can be configured to work with additional security components like alarms or surveillance systems for a comprehensive security solution. It adopts eco-friendly, green and UL 3 hours certified fire-rated electromagnets with anti-tampering design and a high holding force of over 545kg.

POWER INPUT REQUIREMENTS

Voltage: Auto Sensing 12VDC to 24VDC

With Integral Sound 12VDC - Max 0.52A / 24VDC - Max 0.30A

Power wiring with the correct voltage input must be observed before power is applied to the Electromagnetic Lock to prevent damage to the unit

LED INDICATORS

SYSTEM STATUS	GREEN LIGHT	RED LIGHT	RELAY
POWER OFF	OFF	OFF	De-Energized
POWER ON-DOOR OPEN	OFF	ON	De-Energized
POWER ON-DOOR CLOSE	ON	OFF	Energized

DE5700S SERIES TROUBLE SHOOTING GUIDE

PROBLEM	POSSIBLE CAUSE	SOLUTION
Door will not lock	No DC voltage to lock	Check power and wiring
	Loose wire	Check for correct voltage
	Wrong wiring	Check wirings connection
Poor holding force	Bad physical contact between armature plate and face of magnet	Ensure mating surfaces are clean and in proper alignment and the armature plate floats freely
	Low voltage or wrong voltage setting	Check magnetic lock for low voltage or wrong voltage setting
Residual magnetism. Delay in door release	Circuit switch is not between magnetic lock and power source	Removed any diodes installed. All switching devices must be wired in between the DC power source and the positive terminal of the lock
	Secondary diode installed across magnetic lock	Remove this diode, voltage spike protection is on PCB.
LED status is incorrect	Misalignment of armature plate	Check alignment of armature plate

Dip Switch Settings

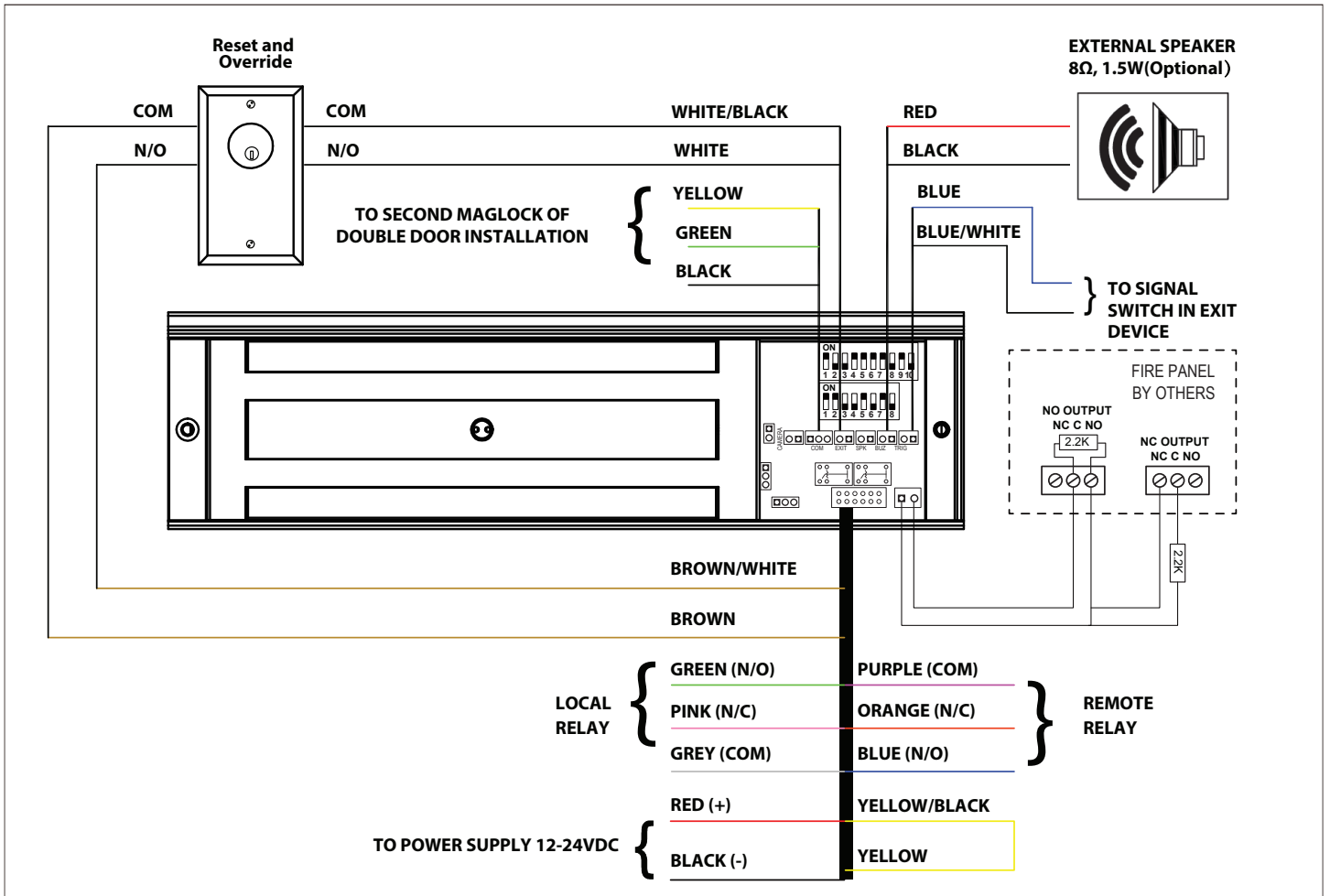
1st Bank 1-8	Function	Switch Status		Notes
1	Delay Time	ON = 30 Second	OFF = 15 Second	30 Seconds requires AHJ approval
2 & 3	0 Second Nuisance Delay		Sw2 + 3 OFF	Set according to Local Code requirements
	1 Second Nuisance Delay	Sw2 ON	Sw3 OFF	
	2 Second Nuisance Delay	Sw3 ON	Sw2 OFF	
	3 Second Nuisance Delay	Sw2 + 3 ON		
4	Enable BOCA Mode	ON = Enable BOCA	OFF = Non-BOCA	Check with Local AHJ
5	1 Second Authorized Unlock Time	ON	OFF	0 - 15 Seconds Default = 5 Seconds
6	2 Second Authorized Unlock Time	ON	OFF	
7	4 Second Authorized Unlock Time	ON	OFF	
8	8 Second Authorized Unlock Time	ON	OFF	

2nd Bank 1-10	Function	Switch Status		Notes
1	Pressure Activated	ON = Enabled	OFF = Disabled	External Switch Required when Disabled
2	30 Second Prop Door Alarm	ON = Enabled	OFF = Disabled	Alarm will pulse 30 seconds after Authorized Exit has expired
3	Remote Relay Bypass	ON	OFF	When ON relay will not change state for Authorized Exit
4	FACP Internal Resistor	ON	OFF	Switch 5 must be OFF
5	FACP External Resistor	ON	OFF	Switch 4 must be OFF and External Resistor installed
6	N/A	N/A	N/A	
7	N/A	N/A	N/A	
8	LED colour when Locked	ON = Red	OFF =Green	
9	Reset when Powered Cycled	ON	OFF	Manual reset required when OFF
10	Low Voltage Detection*	ON = Enabled	OFF = Disabled	Alarm will sound between 8 & 8.5 VDC

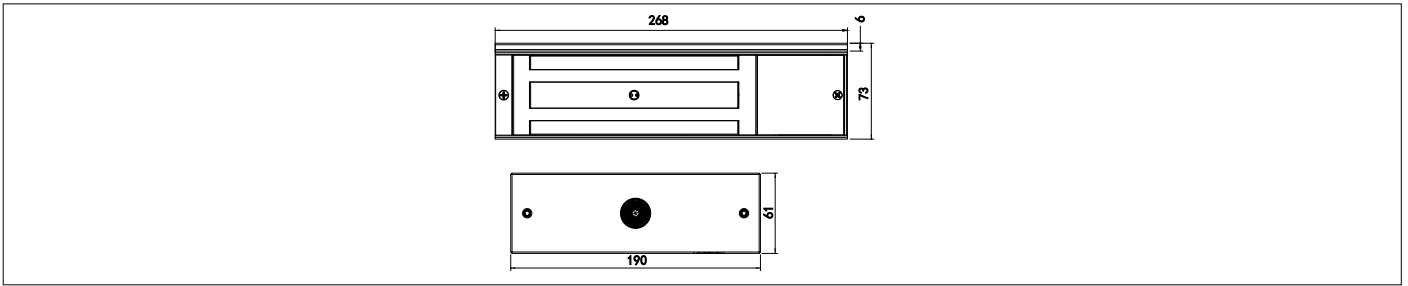
Default Setting

* Maglock must be manually reset following a low - voltage alarm.

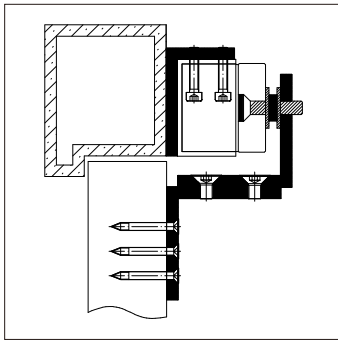
DE5700S SERIES WIRING



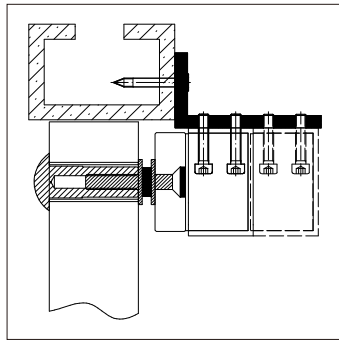
DE5700S SERIES



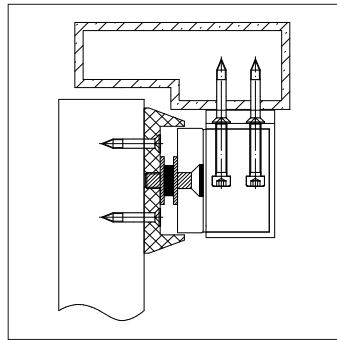
BRACKET INSTRUCTION



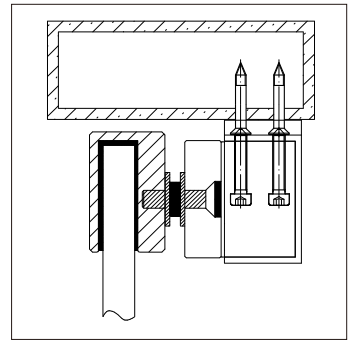
LZ



ATB

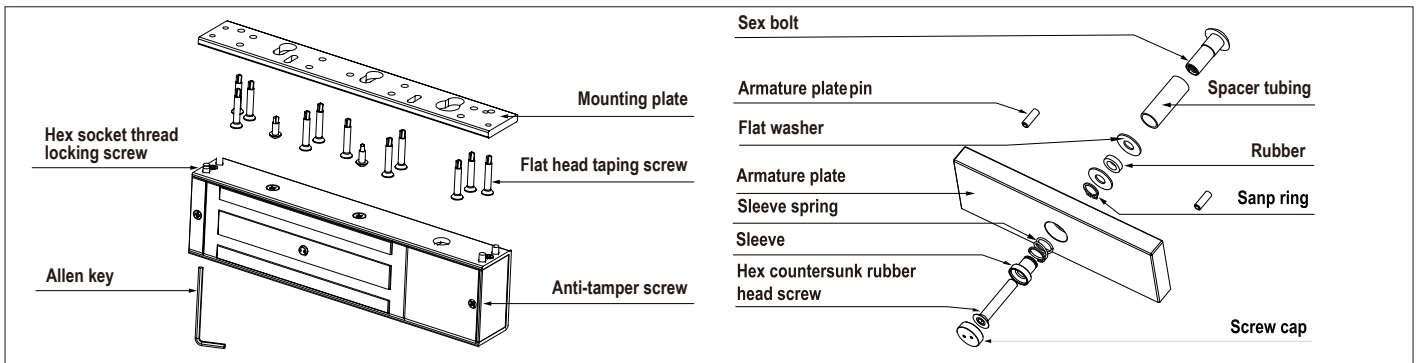


CHB



UBG

INSTALLATION DIAGRAM



IMPORTANT SAFETY INSTRUCTION

Secure the Magnetic lock body firmly to the door frame.

Our electromagnetic lock is shock resistant to unlimited door closures, so it is vital to periodically check if the electromagnetic lock is secure firmly on the top door header to prevent it from falling and causing possible injury.

Do not tighten the armature plate against the door.

The armature plate must be allowed to pivot on the mounting bolt to allow proper alignment with the magnet surface. If the plate is not aligned with the magnet surface, the lock may lose holding force or not lock at all. magnetic lock will lose holding force without this floating alignment.

