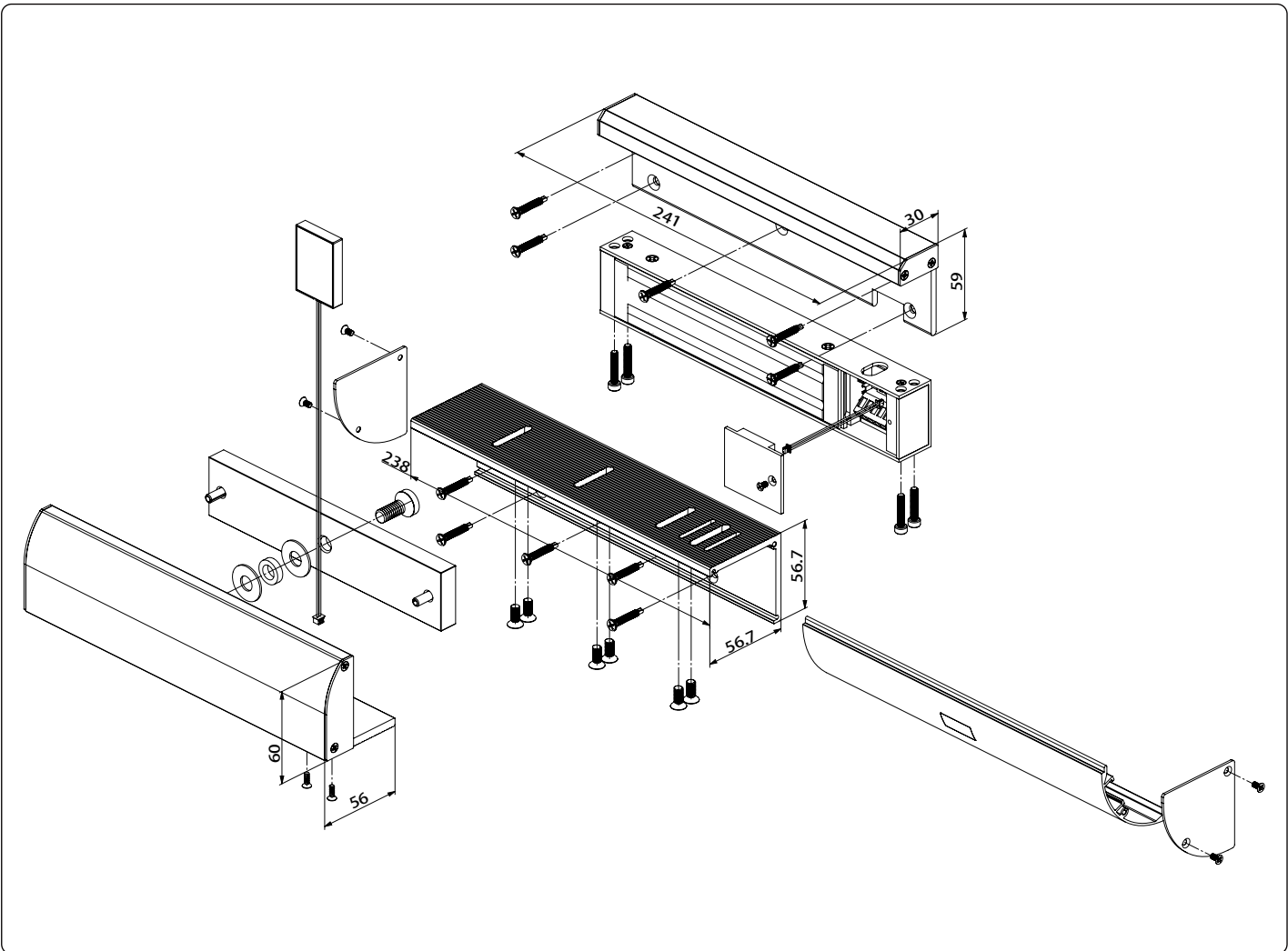
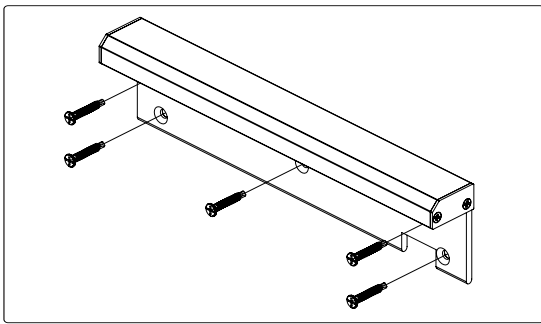


# AMZB4-WIBL-COVER-BLK



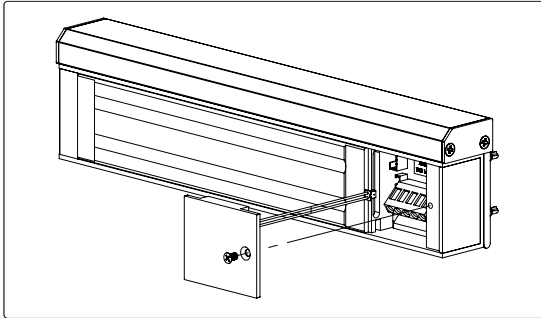
## INSTALLATION DIMENSION DIAGRAM





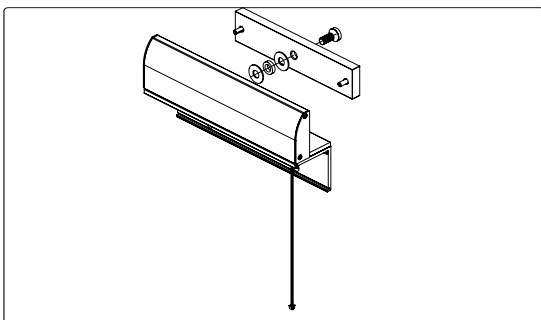
**STEP 1**

Install the L-bracket on the door frame. Ensure the door can still open and close smoothly.



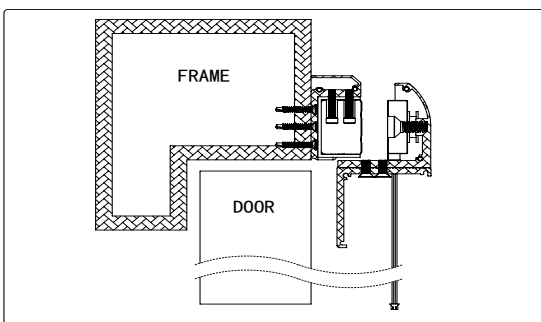
**STEP 3**

Replace the original magnet cover plate with the wireless transmitting cover plate, plug in the wire terminal to the magnet PCBA port, and secure the cover.



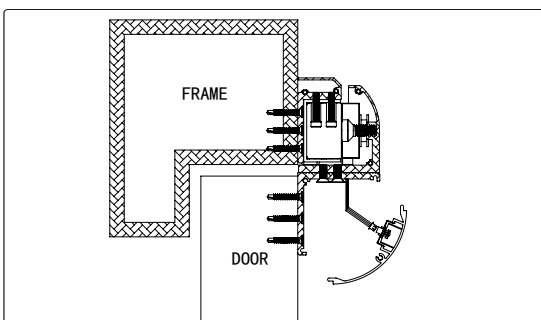
**STEP 5**

Attach the armature plate to the Z-bracket, placing the rubber washer between them.



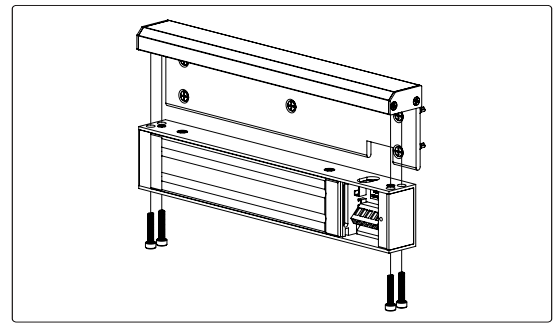
**STEP 7**

Allow the armature plate and electromagnet to align and bond together, then press the Z-bracket.



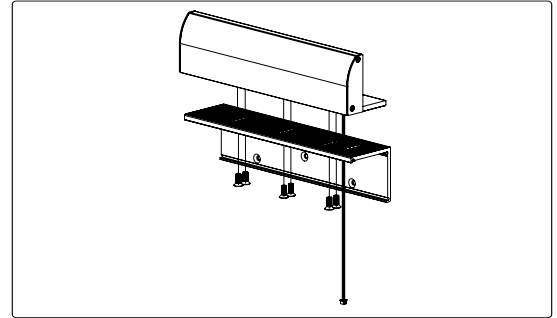
**STEP 9**

Plug the wireless receiver module wires on the backlight PCBA port.



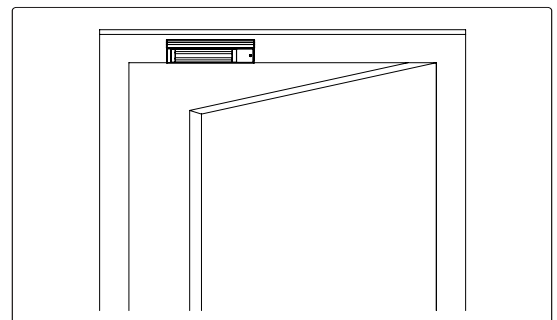
**STEP 2**

Attach the electromagnet to the L-bracket using the fixing screws.



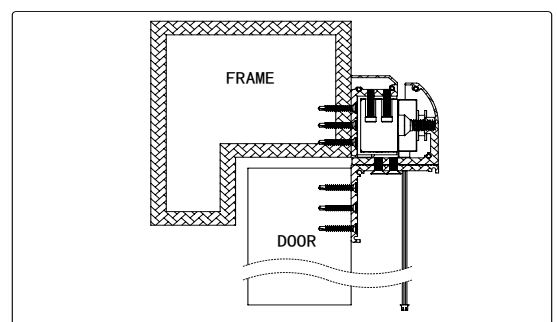
**STEP 4**

Route the wireless receiver module wires through the Z1 bracket, then fasten the Z1 and Z2 brackets together.



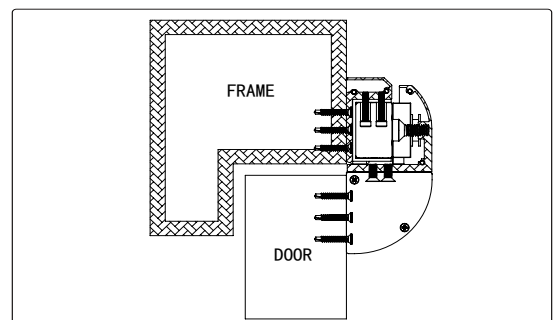
**STEP 6**

Close the door and switch on the power.



**STEP 8**

Secure the Z-bracket tightly to the door leaf.



**STEP 10**

Finally, secure the cover plate on the Z-bracket tightly.